

S350A Series Temperature Stage Module

Description

The S350 Stage Module is used in conjunction with the A350, A350E, A350P, and A350R series temperature controls to add multiple stage capability. The S350 module has an SPDT output relay and three adjustments including offset (de-energize stage action from setpoint), heating or cooling mode, and differential.

Using a Y350R, up to nine S350As can be added to the A350, A350E, and A350R via the 5-pin, plug-together connector. Using a Y350R with an A350P, up to four S350As can be added. Using a 40 VA or greater external transformer with an A350P, up to nine S350As can be added.

Features

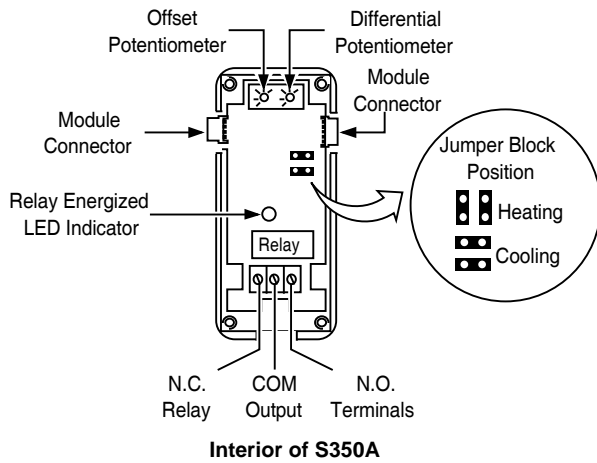
- heating or cooling mode, field-selectable jumper
- adjustable differential and offset
- 5-pin connector eliminates wiring between modules

Applications

- multiple staging of boilers or chillers
- staging of refrigeration compressors
- multiple fan staging for cooling tower



S350



Selection Chart

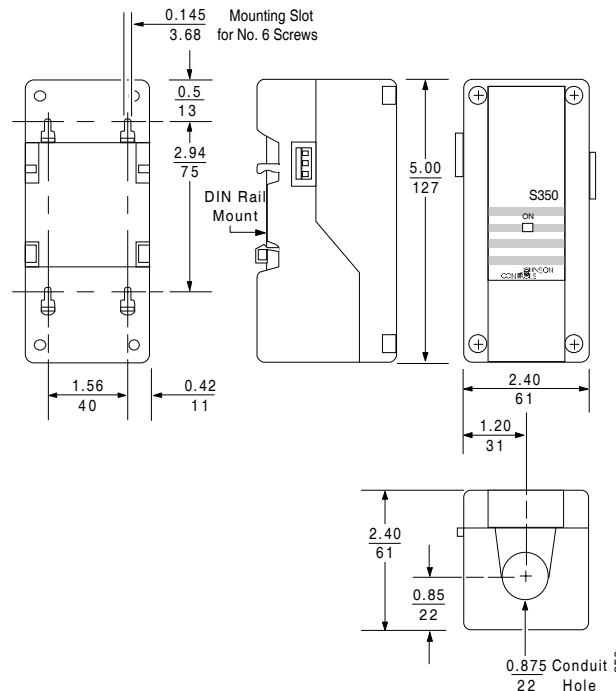
Code Number	Output	Differential Adjustment	Offset Adjustment
S350AA-1C	SPDT Relay	1 to 30F°	1 to 30°F
S350AB-1C		0.5 to 17C°	0.5 to 17°C

Technical Specifications

S350 Series Temperature Stage Module		
Product	S350AA	Temperature module with Fahrenheit scale
	S350AB	Temperature module with Celsius scale
Case and Cover Material	NEMA 1, high-impact thermoplastic	
Supply Voltage	24 volt power supply provided by A350 or Y350R	
Power Consumption	1 VA Maximum	
Ambient Temperature	Operating	-30 to 150°F (-34 to 66°C)
	Shipping	-40 to 185°F (-40 to 85°C)
Humidity	0 to 95% RH non-condensing	
Relay	SPDT enclosed relays. Contacts rated at 10 amp non-inductive, 1/2 hp, 120/240 VAC	
Mounting	Wall or DIN rail	

Relay Ratings

Voltage AC	120	208/240
Full Load Amp	9.8	4.9
Locked Rotor Amp	58.8	29.4
Non-Inductive Amp 10 at 24/240 VAC		
Pilot Duty – 125 VA at 24/240 VAC		



S350 Dimensions, in. (mm)